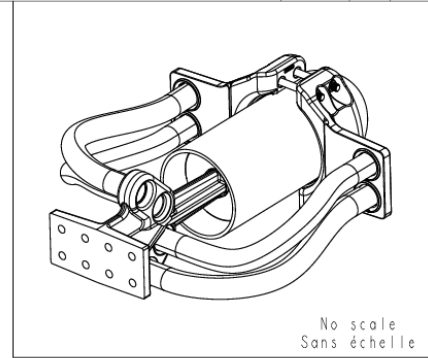
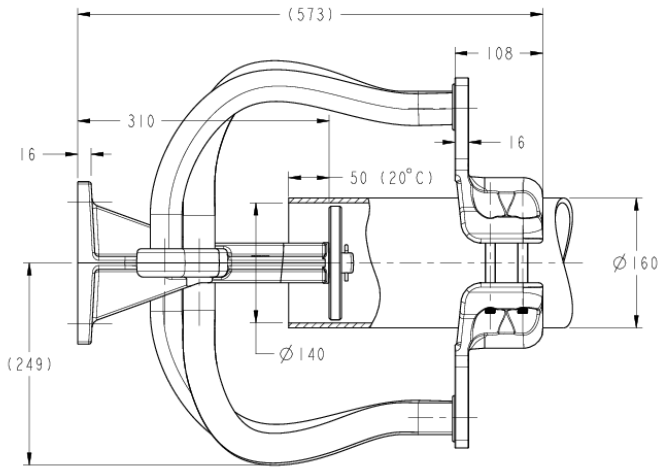


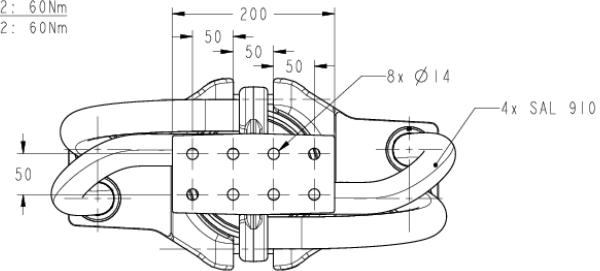
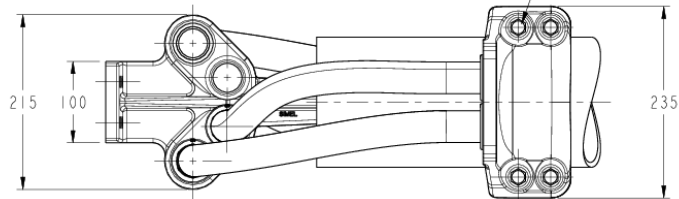
© 2022 TE Connectivity. All Rights Reserved.

REVISIONS					
P	LTR	DESCRIPTION	DATE	DWN	APVD
	A	CREATION	06SEP2022	SM	CG



SECTION A-A

M12 Bolts stainless steel A2: 60Nm
Boulons M12 acier inoxydable A2: 60Nm



THIS DRAWING IS A CONTROLLED DOCUMENT.		DWN	SATYA.M	06SEP2022	STE TE Connectivity
		CHK	M.PREVOT	06SEP2022	
		APVD	C.GLOMMEAU	06SEP2022	NAME EXPANSION CONNECTOR FOR TUBE TO PAD RACCORD A DILATATION POUR TUBE SUR PLAGÉ 5 TTPHL 82 T140/160 100X200 R90 49H SP
		PRODUCT SPEC 108-69090-001		APPLICATION SPEC	
DIMENSIONS: mm		TOLERANCES UNLESS OTHERWISE SPECIFIED:		SIZE CAGE CODE DRAWING NO RESTRICTED TO	
		0 PLC	±	A3 00779 C=2430311	
		1 PLC	±	SCALE 1:5 SHEET OF 1 REV A	
		2 PLC	±		
		3 PLC	±		
		4 PLC	±		
		ANGLES	±		
MATERIAL		FINISH		WEIGHT 15.5 kg	
				CUSTOMER DRAWING	